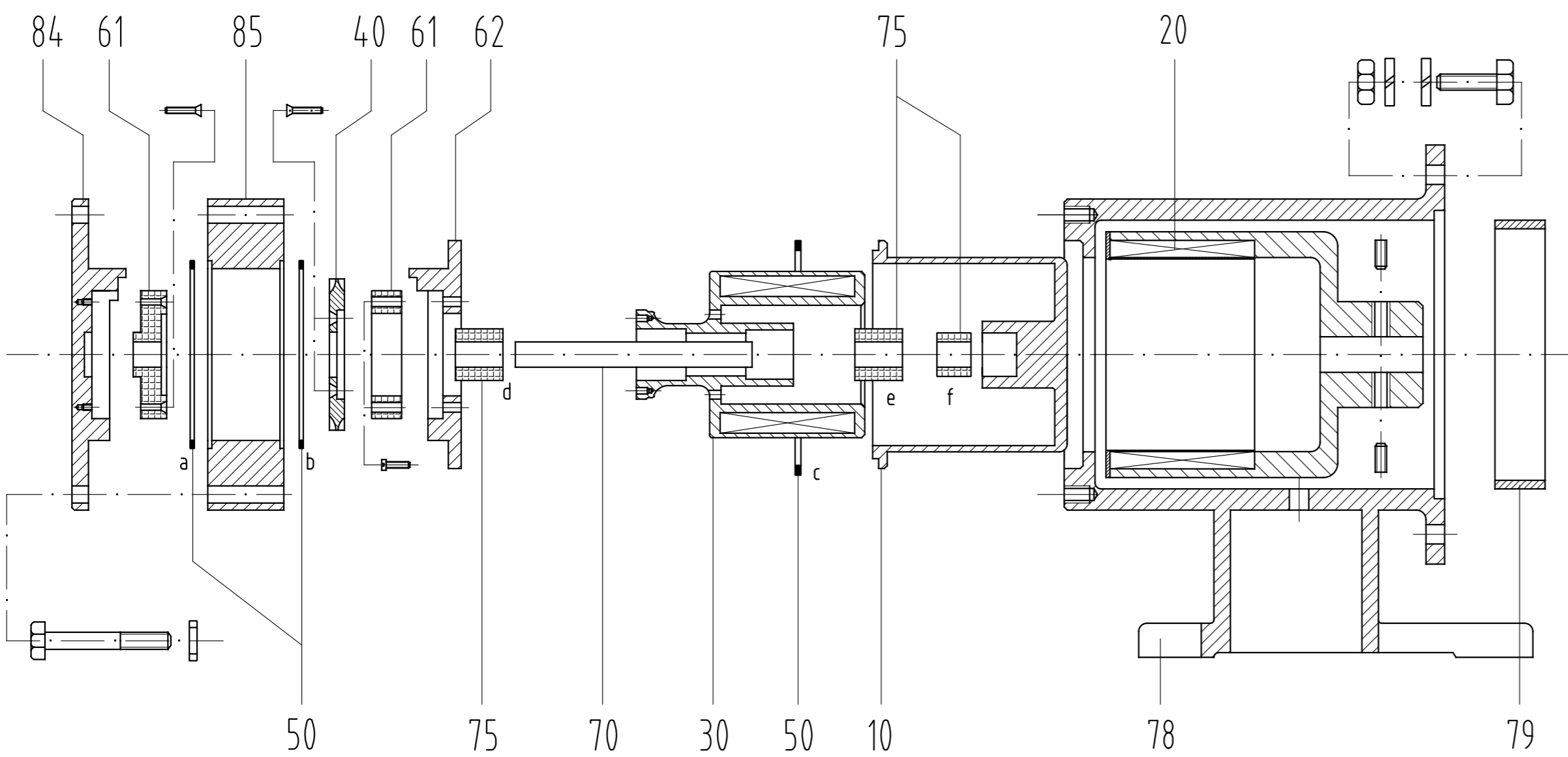


(xx) DIFFERENT FROM MOTOR MANUFACTURER
- DIRECTION AND PORTS LOCATION ARE REVERSIBLE

REF	DESCRIPTION	MATERIAL	CODE
10	Containment shell	SS316 L	
20	Ext. Magnet	CoSm/ Carbon Steel	
30	Int. Magnet	SS 316L/CoSm	
40	Impeller	SS 316L	
50	Set O-Rings (a+b+c) a + b = O-Ring 4337 (237) c = O-Ring 4400 (242)	FEP	
61	Thrust Bearings	Pcarbon	
62	Rear Ring	SS316L	
70	Shaft	SIC	
75	Sleeve Bearings Bearings (d+e) Bearing (f)	SIC SS316	
78	Bracket (200-130-24)	CARBON STEEL	
79	Rub Ring	Bronze	
84	End Cover	SS 316L	
85	Pump Casing	SS 316L	
88	Rear Wet End (10+30+40+50+61+62+70+75)	/	



Alle Angaben unverbindlich, technische Änderungen vorbehalten! Technical data not binding and subject to change!
Copyright MARCH PUMPEN GmbH & Co.KG 2019

<p>MARCH PUMPEN GmbH & Co.KG Rüttelstraße 2 D-35394 Gießen info@march-pumpen.com www.march-pumpen.com</p>		Allgemeintoleranzen nach DIN ISO 2768-m Alle Kanten gratfrei	
		Datum	Name
		Gezeichnet	Lach
		Kontrolliert	
<p>Series MTA MTA 49 LC HT</p>		<p>DPCA-0049-F-HT</p>	
		<p>1 A2</p>	
Status	Änderungen	Datum	Name